

User Guide | Guide de l'utilisateur | Guía del Usuario

INSIGNIA™

Compact Disc Player

Lecteur de disques compacts | Reproductor de discos compactos

NS-P3111

Welcome

Congratulations on your purchase of a high-quality Insignia product. Your NS-P3111 represents the state of the art in personal CD player design, and is designed for reliable and trouble-free performance.

Contents

Safety precautions	1
Getting to know your CD player	3
Setting up your CD player.....	5
Using your CD player	8
Using Search	14
Using anti-shock protection.....	15
Removing the CD	15
Maintaining	16
Troubleshooting.....	17
Specifications	18
Warranty Information	19
Copyright	20
Français	21
Español	43

Safety precautions

Please read the instructions carefully before operating your CD player.

Warning



To prevent fire or shock hazard, do not expose this CD player to rain or moisture.

Important

Since the CD circuitry may cause interference to other radio tuners nearby, turn this CD player off when not in use or move it away from the affected radio tuner. This CD player complies with Part 15 of the FCC Rules. Operation is subject to the following two conditions: (1) This device may not cause harmful interference, and (2) this device must accept any interference received, including interference that may cause undesirable operation.

Note

This Class B digital apparatus complies with Canadian ICES-003.

This equipment has been tested and found to comply within the limits for a class B digital device, pursuant to Part 15 of the FCC Rules. These limits are designed to provide reasonable protection against harmful interference in a residential installation. This equipment generates, uses and can radiate radio frequency energy and, if not installed and used in accordance with the instructions, may cause harmful interference to radio communications. However, there is no guarantee that interference will not occur in a particular installation. If this equipment does cause harmful interference to radio or television reception, which can be determined by turning the equipment off and on, the user is encouraged to try to correct the interference by one or more of the following measures:

- Reorient or relocate the receiving antenna.
- Increase the separation between the equipment and receiver.
- Connect the equipment into an outlet on a circuit different from that to which the receiver is connected.
- Consult the dealer or an experienced radio / TV technician for help.

Changes or modifications not expressly approved by the party responsible for compliance could void the user's authority to operate the equipment.

Safety Certification

This compact disc player is made and tested to meet safety standards of the FCC, requirements and compliance with safety performance of the U.S. Department of Health and Human Services, and also with FDA Radiation Performance Standards 21 CFR Subchapter J.



Invisible laser radiation when open and interlock failed or defeated. Avoid direct exposure to laser beam.

Laser Safety

This CD player employs an optical laser beam system in the CD mechanism, designed with built-in safeguards. Do not attempt to disassemble; refer to qualified service personnel. Exposure to this invisible laser light beam may be harmful to the human eye.

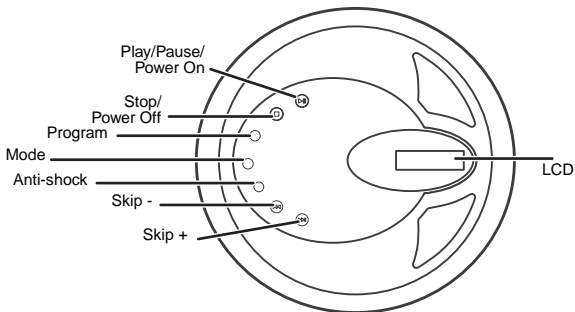
This is a Class-1 Laser Product. Use of controls, or adjustments or procedures other than those specified herein, may result in hazardous laser light beam exposure.

Safety precautions

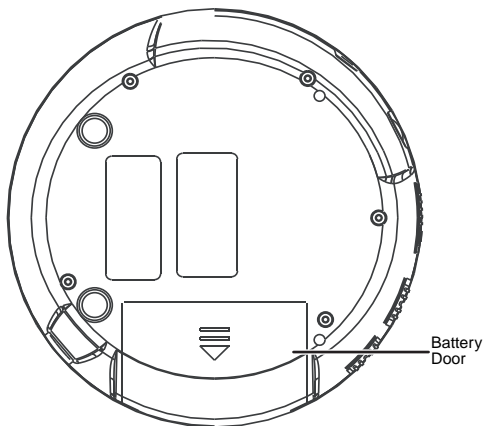
- Do not open the cabinet. Refer servicing to qualified personnel only.
- Do not expose to excessive heat, direct sunlight, dust, moisture, vibration, or shock.
- Use **only** the AC adapter specified. Other types may damage your CD player.
- Disconnect the AC adapter from the power outlet when the CD player is not going to be used for an extended period of time.
- When cleaning your CD player, use a soft dry cloth. Do not use solvents or commercially available cleaners because they may damage or discolor the finish.
- Do not wear headphones while operating a motor vehicle. This could create a traffic hazard and is illegal in many areas.
- The headphones supplied with your CD player provide superior stereo listening while allowing you to hear outside sounds when listening at normally low volume levels. Listening at extremely high volume levels minimizes the intrusion of outside sounds.
- If you notice that the sound has become weak or distorted, this is an indication that your batteries are low. Replace with new or recharged batteries. For more information, see "Battery installation" on page 5.

Getting to know your CD player

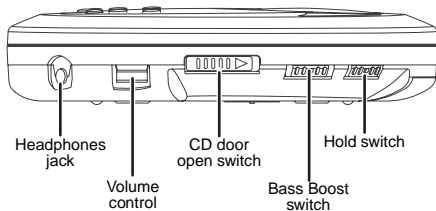
Top controls



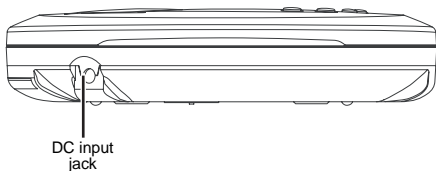
Bottom battery door



Side controls



Side DC input jack

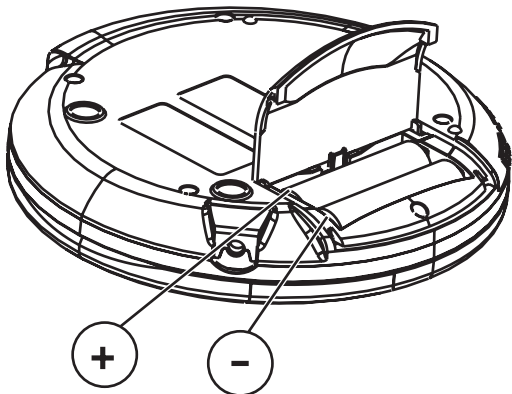


Setting up your CD player

Power sources

Your CD player can be powered by batteries or an AC adapter (not included).

BATTERY INSTALLATION




- 1 Open the battery compartment cover and insert two AA alkaline batteries. Follow the polarity as indicated in the battery compartment.
- 2 Close the battery compartment cover.

Note

- Do not attempt to recharge, short-circuit, disassemble, heat, or throw the batteries into the fire.
- Do not mix battery types. (For example, alkaline with zinc carbonate.)
- When inserting new batteries, replace all at the same time. Do not mix old and new batteries.
- Weak batteries can leak and severely damage the CD player.

Low battery alert

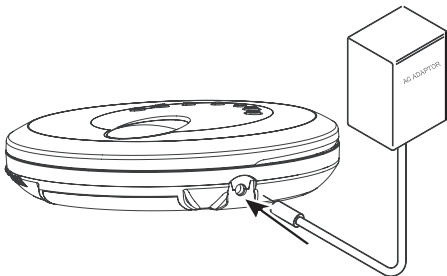
When the Low Battery icon  appears in the LCD panel, the batteries are losing their charge. When this happens, the CD player does not function properly. Replace the batteries.

Playing Time

Battery type	Normal play mode	Anti-skip play mode
Alkaline AA	About 9 hours	About 8 hours
Rechargeable (min. recommended specifications 1.2 V - 650 mA)	About 3.5 hours	About 2.5 hours

Note

Zinc/Carbon or Zinc Chloride batteries are not recommended for this player because their use results in extremely short playing times.

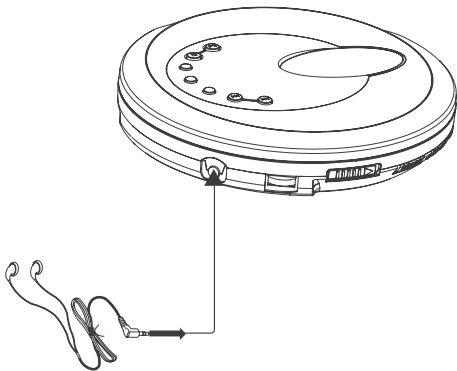
CONNECTING TO AC POWER

- 1 Insert the DC-plug end of the AC adapter (not included) into the **DC Input** jack.
- 2 Plug the AC adapter into an AC power outlet socket. Only use a 6V AC adapter and make sure the local voltage corresponds to the adapter's required AC input voltage.

Note

If the AC plug of this CD player does not fit in your AC outlet, a plug adapter should be used. Ask your local dealer about the type of plug adapter required.

Listening with headphones



- Connect your headphones into the **Headphones** (green) jack and adjust the volume to the desired level.

Caution

When using headphones, avoid excessive volume and long listening sessions.

Using your CD player

Basic CD play

This CD player can play audio discs such as CD-R or CD-RW discs. Do not try to play a CD-ROM, CDi, VCD, DVD, or computer CD.

- 1 Connect the headphones to the **Headphones** (green) jack.
- 2 Press the **OPEN** button to open the CD compartment lid.
- 3 Adjust the **VOLUME** to minimum.
- 4 Insert the CD with the label side facing up.
- 5 Close the lid securely until you hear a click.
- 6 Press the **PLAY** button to start playing.

EMPHASIZING THE BASS SOUND



- Set the **BASS BOOST** switch to the **ON** position.

Note

The bass boost performance will depend on the **VOLUME** control setting.

USING THE HOLD SWITCH



This switch prevents accidental button presses during Playback or Stop mode.

Disable the function buttons (except for the **CD Door Open** switch) by setting the **Hold** switch to the **ON** position.

TURNING THE POWER ON AND OFF

This CD player has no **ON/OFF** switch.

To turn the player on and off:

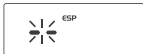
- Turn the CD player on by pressing **PLAY/PAUSE**.
- OR -
Turn off the CD player by pressing the **STOP** button. (Pressing the **STOP** button once puts the CD player into standby mode. Pressing the **STOP** button twice turns off the power.)

Auto power-off function

When the CD player is in standby mode (stopped for about 30 seconds), the power automatically turns off.

LCD information

- If a CD is in, auto adjustment starts.
During auto adjustment, the display flashes - -.



- If no CD is inserted, **disc** is displayed. Insert a CD, then close the lid. Auto adjustment starts.



- If the lid is open, **OPEN** is displayed. Closing the lid starts auto adjustment.



- If the CD player is unable to read the CD's Table of Contents (TOC), then **Er** displays.



- After the TOC has been read, the display shows TOC for 1 second.



- The CD's first track starts playing automatically. **ESP** starts flashing to indicate the anti-shock feature is on. If you want to turn off the anti-shock feature, press the **Anti-Shock** key, and then **ESP** is no longer displayed, and anti-shock is turned off.



Playing a stopped CD

- Press the **PLAY/PAUSE** button, the display changes to **01 00:00** and starts playing.



- If the anti-shock memory is filled, **ESP** stops flashing.



TO STOP

- Press the **STOP** key. This stops play and the TOC displays.



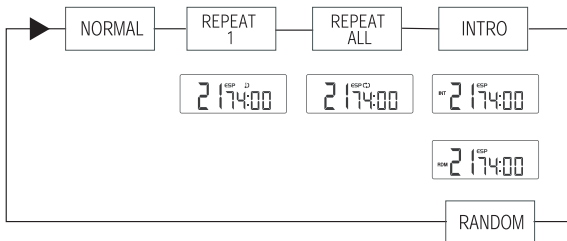
TO PAUSE

- Press the **PLAY/PAUSE** button. During pause, time display flashes.




Play modes

Every time the **MODE** button is pressed, the corresponding mode appears in the display window.



Note

In normal mode, none of the play mode symbols are shown in the display.

When  appears in the LCD panel, the current track is repeated.

When  appears in the LCD panel, all tracks are repeated.

NORMAL PLAYBACK

Plays the whole CD.

**INTRO PLAY**

- 1 Press the **MODE** button three times and **INT** displays.



- 2 Press the **PLAY/PAUSE** button. Starts INTRO play from track number 01.



- 3 Select **INTRO** mode during play and **INT** flashes.



- Press the **PLAY/PAUSE** button. Flashing stops and starts INTRO play from track number 01.



- Press **>>|** to play the current track. Flashing stops and starts INTRO play from next track.



- Press **|<<**, flashing stops and starts INTRO play from current track.



PROGRAM PLAY

Use Program Play to play selected tracks on the CD in any order.

To set Program Play

Note

Programming can be set in the STOP mode or normal play mode.

- 1 Press the **PROG** button and PGM starts flashing.



- 2 Press **I<<** or **>>I** to select the desired track.
- 3 After the desired track is displayed, press the **PROG** button to register. The track number display changes to 00 again.



- 4 Repeat Step 2-3 to program the order of additional tracks. You may program up to 20 tracks.



To complete programming and start play

- Press the **PLAY/PAUSE** button. PGM stops flashing and the programmed tracks start playing.



To clear programming

Any of the following actions will clear your programmed tracks from memory:

- Register 00 on the first program track
- Opening the door
- Turning the player off

RANDOM PLAY

Plays all of the CD's tracks in a random, or shuffle, sequence.

- 1 Press the **MODE** button four times until **RDM** displays.



- 2 Press the **PLAY/PAUSE** button. The track number is randomly selected and begins playing.



- 3 If you select RANDOM mode during play, RDM starts flashing.



Pressing the **PLAY/PAUSE** button **I<<** or **>>I** begins RANDOM PLAY and the flashing stops.



Using Search

Locating a track

- To go back to the beginning of the current or a previous track, press **I<<** repeatedly.
- To go to beginning of the following track, press **>>I** repeatedly.

Locating a specific segment in a track

- To search backward at high speed, press and hold **I<<**.
- To search forward at high speed, press and hold **>>I**.

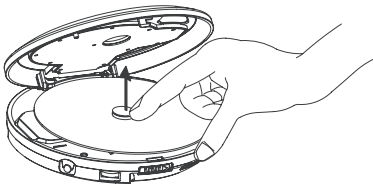
Low level audio will be heard during the search process to assist in locating the correct point in the track.

Using anti-shock protection

- While using the anti-shock (ESP) protection, battery consumption is higher because memory circuitry is used. Also, the CD rotates faster than normal.
- When the digital anti-shock function is switched **ON** or **OFF**, sound is interrupted. This is normal.
- Conditions such as dirty, scratched, or warped CDs may cause skipping or noise that affects performance of the anti-shock (ESP) system. Skip-free anti-shock protection greatly reduces or eliminates skipping during active use.

Removing the CD

- Hold the edge and gently press the center pivot as illustrated to pick up the CD.



Caution



Wait for the CD to stop rotating before pressing the OPEN button.

Note

This CD player can play 3" (8 cm) single CDs without an adapter (not included). Do not use a CD single adapter for these CDs.

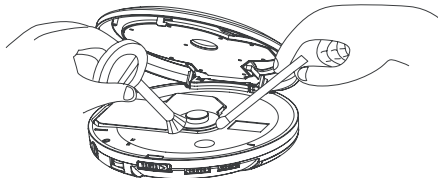
Maintaining

Cleaning the player

Wipe with a soft cloth. If the player is very dirty, dampen the cloth with a weak solution of neutral detergent and water, and then wipe clean.

Cleaning the lens

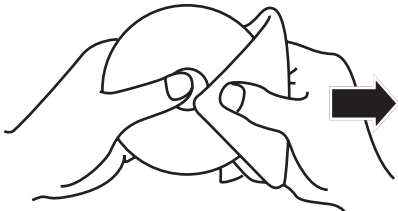
A dirty lens causes sound skipping and if the lens is very dirty, the CD may not work at all. If the lens is dirty, open the CD cover and clean the lens.



- **Dust or Dry Particles**
Using a camera lens brush/blower, blow on the lens several times and wipe it lightly with the brush to remove dust. Blow on the lens one more time.
- **Fingerprints**
If the lens cannot be cleaned by using a brush/blower, use a dry cotton swab from the middle and working to the outside edge.

Cleaning CDs

- Fingerprints and dust should be carefully wiped from the surface of the CD with a soft cloth. Wipe in a straight motion from the center to the edge.



- Never use thinner, benzine, record cleaner or anti-static spray on a compact disc. Such chemicals can damage its plastic surface.

Troubleshooting

Problem	Possible Cause	Solution
The CD player does not work.	The batteries are low or dead.	Replace the batteries.
	The AC adapter is not correctly connected.	Check the AC adapter connection.
The CD does not play.	The CD was incorrectly inserted.	Reinsert the CD, label-side up.
	The CD is defective.	Try another CD.
	The CD compartment is not closed.	Close the CD compartment.
	There is condensation in the CD compartment.	Remove the CD and leave the cover open for about an hour in a dry environment.
There is no sound in the headphones.	The headphone plug is not correctly inserted.	Reinsert the headphone plug into the jack.
	The volume control is turned down.	Increase the volume.
	The batteries are low.	Replace the batteries or use the AC adapter.
	The CD is defective.	Try another CD.
The CD skips during play.	The CD or lens is dirty.	Clean or replace the CD, or clean the lens.
	Strong shaking or vibrations.	Place the CD player on a flat and stable surface without vibration.

Specifications

Pick up	
System	Compact disc digital audio system
Laser diode	Material: GaAlAs
Properties	Wavelength: $\lambda=780$ nm Emission duration: continuous Laser output: < 44.6 μ W
Error correction	Cross-interleave Reed-solomon code

Audio	
D/A conversion	DAC four times oversampling
Frequency response	20-20,000 Hz (+1/-3 dB)
Wow and flutter	Below measurable limits
Number of Channels	2 channels (stereo)
Output level	Headphones: 15 mW (32 Ω)
Bass boost effect (100 Hz)	+6 dB

General	
Power requirements	<ul style="list-style-type: none">• 2x AA alkaline batteries• DC in 6 V 300 mA jack accepts AC power adapter (not included) (center positive) with plug type EIAJ, center hole 1.7 mm, outside 4.0 mm
Power consumption	0.8 W (DC 3V) under normal condition
Dimensions	~ 5.51 × 1.12 × 5.67 in ~ 140 × 28.5 × 144 mm
Weight (not including batteries)	~ 8.11 oz ~ 230 g

Warranty Information

LIMITED WARRANTY

Insignia Products warrants to you, the original purchaser of this Product, that this product shall be free of defects in material or workmanship for a period of ninety (90) days from the date of purchase as follows:

- 1 LABOR:** During the Warranty Period if this Product is determined to be defective, Insignia will repair or replace the Product, at its option at no charge, or pay the labor charges to any Insignia authorized service facility. After the Warranty Period, you must pay for all labor charges.
- 2 PARTS:** In addition, Insignia will supply, at no charge, new or rebuilt replacement parts in exchange for defective parts for the Warranty Period. After the Warranty Period, you must pay all parts costs.

To obtain warranty service, you must take the Product with your original receipt or other proof of purchase, either in its original packaging or packaging affording an equal degree of protection, to your nearest retail store location of the store or online web site from which you purchased the Product.

This warranty does not cover cosmetic damage or damage due to acts of God, lightning strikes, accident, misuse, abuse, negligence, commercial use, or modification of, or to any part of the Product, including the antenna. This warranty does not cover damage due to improper operation or maintenance, connection to improper voltage supply, or attempted repair by anyone other than a facility authorized by Insignia to service the Product. This warranty does not cover Products sold AS IS or WITH ALL FAULTS, or consumables (such as fuses or batteries). This warranty is valid only in the United States and Canada.

This warranty is invalid if the factory applied serial number has been altered or removed from the Product.

REPAIR REPLACEMENT AS PROVIDED UNDER THIS WARRANTY IS THE EXCLUSIVE REMEDY OF THE CONSUMER. INSIGNIA SHALL NOT BE LIABLE FOR ANY INCIDENTAL OR CONSEQUENTIAL DAMAGES FOR BREACH OF ANY EXPRESS OR IMPLIED WARRANTY ON THIS PRODUCT. EXCEPT TO THE EXTENT PROHIBITED BY APPLICABLE LAW, ANY IMPLIED WARRANTY, REPRESENTATION OR CONDITION OF MERCHANTABILITY OR FITNESS FOR A PARTICULAR PURPOSE ON THIS PRODUCT IS LIMITED IN DURATION TO THE DURATION OF THIS WARRANTY.

Some states or provinces do not allow the exclusion or limitation of incidental or consequential damages, or allow limitations on how long an implied warranty lasts, so the above limitations or exclusions may not apply to you. This warranty gives you specific legal rights, and you may have other rights which vary from state to state, or province to province.

For customer service, please call 1-877-467-4289.

www.insignia-products.com

Insignia Products, Richfield, Minnesota, U.S.A.

Copyright

© 2006 Insignia. Insignia and the Insignia logo are trademarks of Best Buy Enterprise Services, Inc. Other brands and product names are trademarks or registered trademarks of their respective holders. Specifications and features are subject to change without notice or obligation.

Support number: (877) 467-4289

URL: www.insignia-products.com

Bienvenue

Félicitations pour avoir acheté ce produit Insignia de haute qualité. Le modèle NS-P3111 représente la dernière avancée technologique dans la conception de lecteur de CD individuel et a été conçu pour des performances et une fiabilité totale.

Table des matières

Mesures de sécurité	21
Présentation du lecteur de CD	24
Configuration du lecteur de CD	26
Fonctionnement du lecteur de CD	29
Utilisation de la fonction recherche	35
Utilisation de la protection antichoc	36
Retrait du CD	36
Entretien	37
Problèmes et solutions	38
Caractéristiques	39
Informations sur la garantie	41
Droits d'auteurs	42

Mesures de sécurité

Lire les instructions avec soins avant d'utiliser ce lecteur de CD.

Avertissement



Afin de réduire les risques d'incendie et de choc électrique, ne pas exposer cet appareil à la pluie ou l'humidité.

Important

Les composants d'un lecteur de CD pouvant provoquer des interférences avec d'autres syntoniseurs radio à proximité, mettre l'appareil hors tension quand il n'est pas utilisé ou l'écarter du syntoniseur radio affecté. Cet appareil est conforme à l'article 15 du règlement de la FCC. Son fonctionnement est soumis aux deux conditions suivantes : (1) Ce dispositif ne doit pas provoquer d'interférences nuisibles et (2) il doit accepter toute interférence reçue, notamment les interférences qui pourraient entraîner un fonctionnement indésirable de l'appareil.

Remarque

Cet appareil numérique de la classe B est conforme à la norme ICES-003 du Canada.

Cet équipement a été mis à l'essai et déclaré conforme aux limites prévues pour un appareil numérique de classe B, définies dans la section 15 de la réglementation FCC. Ces limites ont été établies pour fournir une protection raisonnable contre les interférences nuisibles lors d'une installation résidentielle. Cet équipement génère, utilise et diffuse des ondes radio et s'il n'est pas installé ni utilisé en conformité avec les instructions dont il fait l'objet, il peut provoquer des interférences indésirables avec les communications radio. Cependant, il n'est pas possible de garantir qu'aucune interférence ne se produira dans une installation particulière. Si cet équipement cause des interférences gênant la réception d'ondes radio ou télévisées (déterminé en éteignant et en rallumant l'équipement), il est recommandé que l'utilisateur tente de corriger le problème en appliquant au moins l'une des mesures suivantes :

- Réorienter ou déplacer l'antenne réceptrice.
- Augmenter la distance entre l'équipement et le récepteur.
- Brancher l'équipement dans la prise électrique d'un circuit différent de celui auquel le récepteur est relié.
- Contacter le revendeur ou un technicien radio/ télévision qualifié pour toute assistance.

Tous changements ou modifications qui ne seraient pas expressément approuvés par les responsables des normes pourraient rendre nul le droit de l'utilisateur d'utiliser cet équipement.

Certification relative à la sécurité

Ce lecteur de disques compacts a été fabriqué et testé pour satisfaire aux normes de sécurité de la FCC, aux exigences et règles de conformité du Ministère de la santé des États-Unis (U.S. Département of Health and Human Services), ainsi qu'aux normes d'irradiation 21 CFR, section de chapitre J de la FDA.



Radiation au laser invisible en cas d'ouverture et lorsque le système de sécurité est défectueux ou neutralisé. Éviter toute exposition directe aux rayons laser.

Précautions de sécurité relatives au laser

Le mécanisme CD de cet appareil utilise une technologie de faisceau laser optique, conçue pour intégrer des dispositifs de sécurité. Ne pas chercher à le démonter, le confier à du personnel qualifié. Une exposition à la lumière du faisceau laser invisible peut être dangereuse pour la vue.

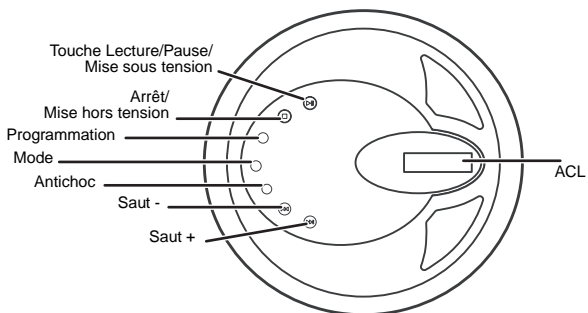
Appareil au laser de classe 1. L'utilisation de commandes, de réglages ou l'exécution de procédures autres que celles indiquées ici peuvent aboutir à une irradiation dangereuse.

Mesures de sécurité

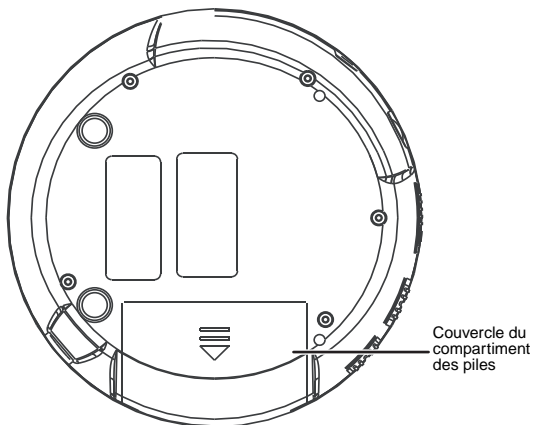
- Ne pas ouvrir le boîtier. Confier la réparation à un technicien spécialisé.
- Ne pas exposer l'appareil à une chaleur excessive, la lumière solaire directe, la poussière, l'humidité, les vibrations ou les chocs.
- Utiliser **uniquement** l'adaptateur CA spécifié. D'autres types d'adaptateurs peuvent endommager le lecteur de CD.
- Déconnecter l'adaptateur CA de la prise secteur quand le lecteur de CD ne doit pas être utilisé pendant une longue période.
- Pour le nettoyage du lecteur de CD, utiliser un chiffon doux et sec. Éviter totalement l'usage de solvants ou produits de nettoyage du commerce, car ils pourraient endommager ou décolorer la finition de l'appareil.
- Ne pas utiliser de casque d'écoute en conduisant un véhicule à moteur. Cela pourrait représenter un danger pour la circulation et est illégal dans de nombreux endroits.
- Le casque d'écoute livré avec l'appareil fournit une qualité stéréo supérieure, tout en permettant d'entendre les sons extérieurs s'il est utilisé à un niveau de volume normal. L'écoute à un volume très élevé diminue la possibilité d'entendre les bruits et sons extérieurs.
- Si le son devient faible ou déformé, cela signifie que les piles sont déchargées. Les remplacer avec des neuves ou des piles rechargeables. Pour plus d'informations, se reporter à "Battery installation" on page 5.

Présentation du lecteur de CD

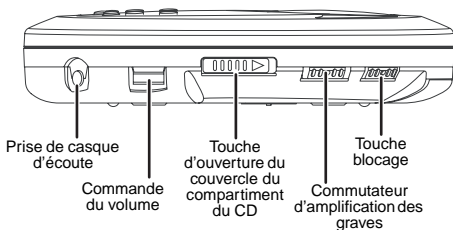
Commandes du dessus



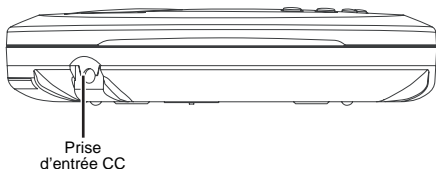
Couvercle du compartiment des piles situé sous l'appareil



Commandes latérales



Prise d'entrée CC latérale

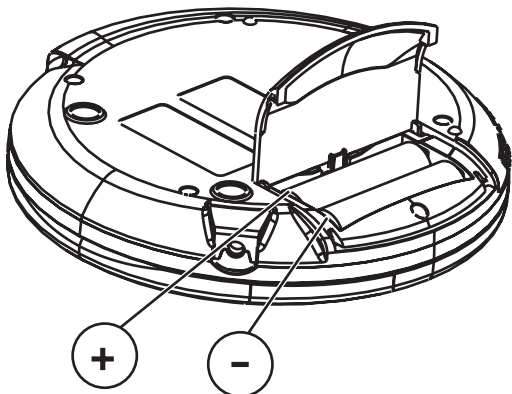


Configuration du lecteur de CD

Sources d'alimentation.

Le lecteur de CD peut être alimenté avec des piles ou un adaptateur CA (non inclus).

INSTALLATION DES PILES




- 1 Ouvrir le couvercle du compartiment des piles et y insérer deux piles alcalines AA. Tenir compte de la polarité qui est indiquée dans le compartiment des piles.
- 2 Replacer le couvercle du compartiment des piles.

Remarque

- Ne pas essayer de les recharger, les mettre en court-circuit, les ouvrir, les chauffer ou les mettre au feu.
- Ne pas mélanger les différents types de piles (par exemple, alcalines avec carbone-zinc).
- Lors de l'insertion de nouvelles piles, les remplacer toutes en même temps. Ne jamais mélanger des piles neuves et anciennes.
- Des piles déchargées peuvent fuir et endommager gravement l'appareil.

Alerte de piles faibles

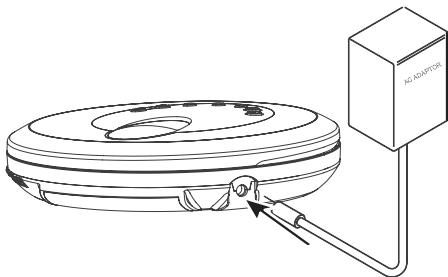
Quand le témoin des piles  s'affiche sur l'écran ACL, cela signifie que les piles sont presque déchargées. Dans ce cas, l'appareil ne fonctionne plus correctement. Remplacer les piles.

Durée de lecture

Type de pile	Mode lecture normale	Mode lecture anti-saut
Alcaline AA	9 heures environ	8 heures environ
Rechargeable (caractéristiques minimales recommandées : 1,2 V - 650 mA)	3,5 heures environ	2,5 heures environ

Remarque

Les piles carbone-zinc ou au chlorure de zinc ne sont pas recommandées pour cet appareil ; leur utilisation pourrait raccourcir la durée de lecture.

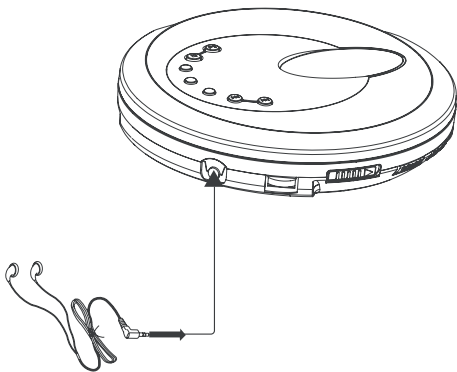
CONNEXION À L'ALIMENTATION CA

- 1 Insérer la fiche CC qui est en bout du cordon de l'adaptateur CA (non fourni), dans la prise de branchement **CC** sur l'appareil.
- 2 Brancher l'adaptateur CA dans une prise secteur CA. N'utiliser que le type d'adaptateur CA de 6 V et s'assurer que la tension locale correspond à celle de l'adaptateur.

Remarque

Si la prise CA de cet appareil ne correspond pas à celle de la prise murale, un adaptateur de prise doit être utilisé. Consulter le revendeur local sur le type d'adaptateur requis.

Utilisation du casque d'écoute



- Connecter le casque à la prise (verte) **Casque d'écoute** et régler le volume au niveau souhaité.

Précaution



Éviter un niveau de volume trop élevé et l'écoute de chansons pendant une longue période avec le casque d'écoute.

Fonctionnement du lecteur de CD

Lecture de base d'un CD

Ce lecteur de CD peut lire des disques audio tels que les CD-R ou CD-RW. Ne pas essayer de lire un CD-ROM, CDi, VCD, DVD ou un CD de PC.

- 1 Connecter le casque à la prise (verte) **Casque d'écoute**.
- 2 Appuyer sur la touche **OPEN** (Ouvrir) du couvercle du compartiment du CD.
- 3 Régler le **VOLUME** au minimum.
- 4 Insérer un CD avec l'étiquette vers le haut.
- 5 Bien fermer le couvercle jusqu'au déclic.
- 6 Appuyer sur la touche **PLAY** (Lecture) pour commencer la lecture.

AMPLIFICATION DES GRAVES



- Mettre le commutateur **BASS BOOST** (Amplification des graves) en position **ON** (Marche).

Remarque

L'effet d'amplification des graves dépendra du réglage du **VOLUME**.

UTILISATION DE LA TOUCHE HOLD (BLOCAGE)



Cette touche permet d'éviter le choix accidentel d'une touche pendant les modes Lecture ou Arrêt.

En réglant la touche **Hold** (Blocage) sur **ON** (Activée), les touches de fonction sont désactivées (sauf pour la touche **CD Door Open** [Ouverture du compartiment CD]).

MISE SOUS ET HORS TENSION DE L'APPAREIL.

Cet appareil n'a pas de touche **ON/OFF** (Mise sous ou hors tension).

Pour mettre l'appareil sous et hors tension :

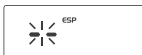
- Mettre l'appareil sous tension en appuyant sur **PLAY/PAUSE** (Lecture/ Pause).
- OU -
Mettre l'appareil hors tension en appuyant sur **STOP** (Arrêt). En appuyant une fois sur la touche **STOP** (Arrêt) l'appareil est mis en mode d'attente. En appuyant deux fois sur la touche **STOP** (Arrêt) l'appareil est mis hors tension.

Mise hors tension automatique

Quand l'appareil est en mode d'attente (arrêté pendant environ 30 secondes), il se met automatiquement hors tension.

Affichage ACL

- Si un CD est en cours de lecture, la fonction réglage automatique est activée.
Pendant le réglage automatique, le symbole -- clignote.



- Si aucun CD est inséré, le symbole **disc** est affiché. Insérer un CD, puis fermer le couvercle. La fonction réglage automatique est activée.



- Si le couvercle est ouvert, **OPEN** s'affiche. La fermeture du couvercle enclenche le réglage automatique.



- Si l'appareil ne peut pas lire la Table des matières du CD, le symbole **Er** (Erreur) s'affiche.



- Lorsque la lecture des données de la Table des matières est faite, celle-ci s'affiche à l'écran pendant une seconde.



- La lecture de la première piste du CD commence automatiquement. **ESP** clignote pour indiquer que la fonction antichoc est activée. L'appui sur la touche **Anti-Shock** (Antichoc), désactive cette fonction ; le symbole **ESP** n'est plus affiché et la fonction antichoc désactivée.



Lecture d'un CD arrêté

- En appuyant sur la touche **PLAY/PAUSE** (Lecture/Pause) l'écran affiche **01 00:00** et la lecture commence.



- Si la mémoire antichoc est pleine, **ESP** ne clignote plus.



MISE À L'ARRÊT

- Appuyer sur la touche **STOP** (Arrêt). La lecture s'arrête et la Table des matières s'affiche à l'écran.



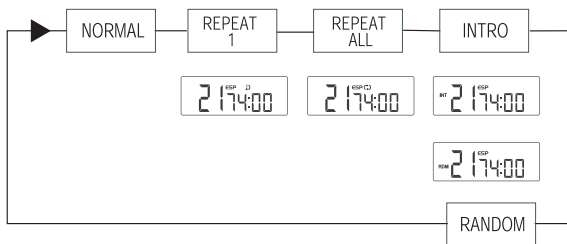
MISE EN PAUSE

- Appuyer sur la touche **PLAY/PAUSE** (Lecture/Pause). En mode pause, l'affichage de la durée clignote.




Modes de lecture


Chaque fois que la touche **MODE** est appuyée, le mode correspondant est affiché.



Remarque

En mode normal, aucun des symboles de lecture ne s'affiche sur l'écran.

Quand le symbole  s'affiche sur l'écran ACL, la piste en cours est répétée.

Quand le symbole  s'affiche sur l'écran ACL, toutes les pistes sont répétées.

LECTURE NORMALE

Tout le disque est lu.

**LECTURE DES INTRODUCTIONS**

- 1 Appuyer trois fois sur la touche **MODE** et le message **INT** (Introduction) s'affiche sur l'écran.



- 2 Appuyer sur la touche **PLAY/PAUSE** (Lecture/Pause). La lecture de l'INTRODUCTION commence avec la piste n° 1.



- 3 Sélectionner le mode **INTRO** pendant la lecture et le message **INT** clignote.



- Appuyer sur la touche **PLAY/PAUSE** (Lecture/Pause). Le clignotement s'arrête et la lecture de l'INTRODUCTION commence à partir de la piste n° 1.



- Appuyer sur la touche **>>I** pour lire la piste en cours. Le clignotement s'arrête et la lecture de l'INTRODUCTION de la piste suivante commence.



- Appuyer sur **I<<**, le clignotement s'arrête et la lecture de l'INTRODUCTION commence à partir de la piste en cours.



LECTURE PROGRAMMÉE

Utiliser ce mode pour lire des pistes sélectionnées du CD dans un ordre aléatoire.

Configuration de la lecture programmée

Remarque

La programmation peut être effectuée en mode STOP (Arrêt) ou en mode lecture normale.

- 1 Appuyer sur la touche **PROG** et le symbole PGM clignote.



- 2 Appuyer sur **l<<** ou **>>l** pour sélectionner la piste souhaitée.
- 3 Lorsque la piste souhaitée est affichée, appuyer sur la touche **PROG** pour l'enregistrer. L'affichage du numéro de piste indique alors 00.



- 4 Répéter les étapes 2 à 3 pour programmer des pistes supplémentaires. Il est possible de programmer jusqu'à 20 pistes.



Terminer la programmation et commencer la lecture

- Appuyer sur la touche **PLAY/PAUSE** (Lecture/Pause). Le symbole PGM cesse de clignoter et la lecture des pistes programmées commence.



Supprimer la programmation

Les procédures suivantes permettent de supprimer les pistes programmées en mémoire :

- Enregistrer 00 comme première piste du programme.
- Ouverture du couvercle
- Mettre le lecteur hors tension

LECTURE ALÉATOIRE

Lit toutes les pistes du CD en mode aléatoire ou au hasard.

- 1 Appuyer quatre fois sur la touche **MODE** jusqu'à l'affichage de **RDM** (Aléatoire).



- 2 Appuyer sur la touche **PLAY/PAUSE** (Lecture/Pause). Le numéro de piste est sélectionné au hasard et la lecture commence.



- 3 Sélectionner le mode **RANDOM** (Aléatoire) en cours de lecture et **RDM** clignote.



En appuyant sur la touche **PLAY/PAUSE** (Lecture/Pause) **l<<** ou **>>l** la lecture aléatoire commence et le clignotement cesse.



Utilisation de la fonction recherche

Localisation d'une piste

- Pour revenir au début de la piste en cours ou aller à une précédente, appuyer de façon répétée sur **l<<**.
- Pour aller au début de la piste suivante, appuyer de façon répétée sur **>>l**.

Localisation d'un point particulier de la piste

- Pour faire une recherche vers l'arrière en mode rapide, maintenir appuyée la touche **l<<**.
- Pour faire une recherche vers l'avant en mode rapide, maintenir appuyée la touche **>>l**.

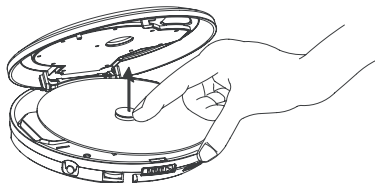
L'audio se fait entendre à faible volume pendant la recherche afin de faciliter la localisation du point correct de la piste.

Utilisation de la protection antichoc

- Quand la fonction antichoc (ESP) est utilisée, la consommation des piles est plus élevée parce que la mémoire est activée. Aussi, le CD tourne plus vite qu'en mode normal.
- Quand la fonction antichoc numérique est **Activée** (ON) ou **Désactivée** (OFF), le son est interrompu. Il n'a rien d'anormal à cela.
- Si les CD sont sales, rayés ou voilés, ils peuvent être plus facilement sujets à des sauts ou parasites, ce qui affecte la performance du dispositif antichoc (ESP). Le dispositif de protection antichoc réduit de façon importante, voire supprime les sauts lors d'une utilisation mouvementée.

Retrait du CD

- En le tenant par la périphérie, presser délicatement l'axe central pour l'extraire, tel qu'illustré.



Précaution



Attendre que le CD ait fini de tourner avant d'appuyer sur la touche OPEN (Ouvrir).

Remarque

Cet appareil peut lire des CD deux titres de 3 po (8 cm) sans adaptateur (non inclus). Ne pas utiliser d'adaptateur pour CD deux titres avec ces disques.

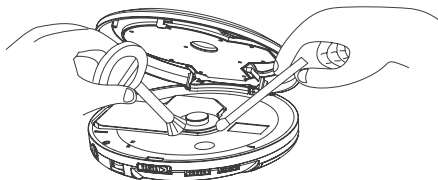
Entretien

Nettoyage du lecteur

Essuyer avec un chiffon propre. Si l'appareil est très sale, humidifier le chiffon avec une solution diluée de détergent neutre et d'eau et le nettoyer.

Nettoyage de la lentille optique

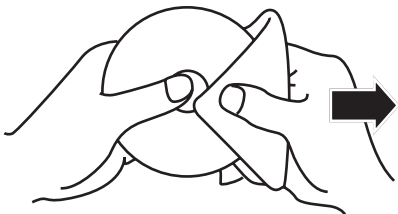
Une lentille sale provoquera une lecture défectueuse (son irrégulier) et si elle est très sale le CD peut ne pas être lu. Si la lentille est sale, ouvrir le compartiment du CD et la nettoyer.



- Poussières et particules sèches
En utilisant une brosse pneumatique pour lentille d'appareil photo, souffler sur la lentille plusieurs fois, puis essuyer délicatement avec la brosse pour enlever la poussière. Souffler sur la lentille une fois de plus.
- Empreintes digitales
Si l'utilisation de la brosse pneumatique n'est pas suffisante, passer un coton-tige sec en partant du centre vers la périphérie.

Nettoyage d'un CD

- Les empreintes digitales et la poussière sur la surface enregistrée doivent être essuyées délicatement avec un chiffon doux. Les essuyer d'un mouvement régulier en partant du centre vers la périphérie.



- Ne jamais utiliser de diluant, benzène, nettoyant pour disques conventionnels ou vaporisateur antistatique sur un disque compact. Ces produits chimiques pourraient endommager la surface.

Problèmes et solutions

Problème	Cause probable	Solution
Le lecteur de CD ne fonctionne pas.	Les piles sont faibles ou déchargées.	Remplacer les piles.
	L'adaptateur CA n'est pas connecté correctement.	Vérifier la connexion de l'adaptateur CA.
Le CD n'est pas lu.	Le CD n'a pas été inséré correctement.	Réinsérer le CD, étiquette tournée vers le haut.
	Le CD est défectueux.	Essayer un autre CD.
	Le couvercle du compartiment du CD n'est pas fermé.	Fermer le couvercle du compartiment du CD.
	De la condensation s'est formée dans le compartiment du CD.	Enlever le CD et laisser le couvercle ouvert dans un endroit sec pendant une heure environ.

Problème	Cause probable	Solution
Pas de son dans le casque d'écoute.	La fiche du casque d'écoute n'est pas branchée correctement.	Rebrancher la fiche du casque d'écoute dans la prise.
	La commande du volume est au minimum.	Augmenter le volume.
	Les piles sont faibles.	Remplacer les piles ou utiliser l'adaptateur CA.
	Le CD est défectueux.	Essayer un autre CD.
Des sautes de CD se produisent au cours de la lecture.	Le CD ou la lentille optique est sale.	Nettoyer ou remplacer le CD ou nettoyer la lentille de lecture.
	Fortes secousses ou vibrations.	Placer le lecteur de CD sur une surface plane et stable sans vibration.

Caractéristiques

Lentille de lecture	
Système	Système de disque compact audionumérique
Diode au laser	Matériel : GaAlAs
Propriétés	Longueur d'onde : $\lambda = 780 \text{ nm}$ Durée de l'émission : continue Sortie laser : $< 44,6 \mu\text{W}$
Correction d'erreur	Code linéaire de Reed-Solomon

Audio	
Conversion numérique/analogique	Le convertisseur numérique/analogique (CNA) multiplie par quatre la fréquence d'échantillonnage.
Réponse en fréquence	20 – 20 000 Hz (+ 1/- 3 dB)
Pleurage et scintillement	Inférieur aux limites mesurables
Nombre de canaux	2 canaux (stéréo)
Niveau de sortie	Casque d'écoute : 15 mW (32 Ω)
Effet d'amplification des graves (100 Hz)	+ 6 dB

Spécifications générales	
Alimentation	<ul style="list-style-type: none">• 2 piles alcalines AA• La fiche d'entrée CC de 6 V 300 mA est compatible avec un adaptateur CA (non fourni) dont le positif est au centre, avec prise de type EIAJ, orifice central de 1,7 mm et 4 mm de diamètre extérieur
Consommation électrique	0,8 W (CC 3 V) sous condition normale
Dimensions	~ 5,51 × 1,12 × 5,67 po ~ 140 × 28,5 × 144 mm

Spécifications générales	
Poids (sans les piles)	~ 8,11 oz ~ 230 g

Informations sur la garantie

GARANTIE LIMITÉE

Insignia Products garantit au premier acheteur de ce produit qu'il sera exempt de défauts de fabrication et de main-d'œuvre pour une période de quatre vingt dix (90) jours à partir de la date d'achat, conformément aux détails ci-dessous :

- 1 MAIN-D'ŒUVRE :** Pendant la période de garantie, si ce produit est considéré comme étant défectueux, Insignia le réparera ou le remplacera, à sa convenance, gratuitement, ou paiera les frais de main-d'œuvre à tout service de réparation agréé par Insignia. Au-delà de la période de garantie, l'utilisateur sera redevable de tous les frais afférents à la main-d'œuvre.
- 2 PIÈCES DÉTACHÉES :** En outre, Insignia fournira gratuitement les pièces détachées neuves ou remises à neuf, en échange des pièces défectueuses pendant la durée de la garantie. À l'expiration de la période de garantie le coût de toute pièce détachée sera à la charge de l'utilisateur.

Pour obtenir le service de la garantie, le produit devra être présenté accompagné du reçu original ou de toute autre preuve d'achat, soit dans son emballage original, soit dans un emballage procurant des conditions identiques de protection, au détaillant le plus proche du magasin ou du site Web où le produit a été acheté.

Cette garantie ne couvre pas les dommages esthétiques, ou ceux résultants de catastrophes naturelles, de la foudre, d'un accident, d'une mauvaise utilisation, de manipulations abusives, de négligence, d'une utilisation commerciale ou d'une modification de tout ou partie du produit, y compris l'antenne. Cette garantie ne couvre aucun dommage ayant pour origine une utilisation ou une maintenance défectueuse, la connexion à une source électrique dont la tension est inadéquate, ou encore toute réparation réalisée par quiconque autre qu'un service de réparation agréé par Insignia. Cette garantie ne couvre pas les produits vendus « EN L'ÉTAT » ou « HORS SERVICE », ou les consommables (tels que les fusibles ou les piles). Cette garantie n'est applicable qu'aux États-Unis et au Canada.

La garantie est annulée si le numéro de série usine a été altéré ou enlevé du produit.

LA RÉPARATION OU LE REMPLACEMENT, TELS QU'OFFERTS PAR CETTE GARANTIE, CONSTITUENT LE SEUL RECOURS DU CONSOMMATEUR. INSIGNIA NE POURRA PAS ÊTRE TENU POUR RESPONSABLE DE DOMMAGES ACCESSOIRES OU CONSÉCUTIFS, OU DE L'INEXÉCUTION D'UNE GARANTIE EXPRESSE OU IMPLICITE SUR CE PRODUIT. SAUF DISPOSITIONS CONTRAIRES DES LOIS ET RÉGLEMENTS APPLICABLES, TOUTE GARANTIE IMPLICITE DE QUALITÉ MARCHANDE OU D'ADAPTATION À UN USAGE PARTICULIER RELATIVE À CE PRODUIT EST LIMITÉE À LA PÉRIODE DE GARANTIE APPLICABLE TELLE QUE DÉCRITE CI-DESSUS.

Certains états ou provinces ne permettent ni l'exclusion ou la limitation des dommages accessoires ou consécutifs, ni les limitations implicites de durée d'une garantie, de sorte que les limitations ou exclusions énoncées ci-dessus peuvent être nulles dans le cas du premier acheteur. La présente garantie donne au premier acheteur des garanties juridiques spécifiques ; il peut aussi bénéficier d'autres garanties qui varient d'un état ou d'une province à l'autre.

Pour le service à la clientèle, appeler le 1-877-467-4289.

www.insignia-products.com

Insignia Products, Richfield, Minnesota, U.S.A.

Droits d'auteurs

© 2006 Insignia. Insignia et le logo Insignia sont des marques commerciales de Best Buy Enterprise Services, Inc. Les autres noms de marques et de produits mentionnés sont des marques commerciales ou des marques déposées de leurs propriétaires respectifs. Les caractéristiques et spécifications sont susceptibles d'être modifiées sans préavis.

Assistance technique : (877) 467-4289

Adresse Web : www.insignia-products.com

Bienvenido

Felicitaciones por su compra de un producto de alta calidad de Insignia. Su producto NS-P3111 representa el más moderno diseño de reproductor de CD personal, y está concebido para brindar un rendimiento confiable y sin problemas.

Contenido

Precauciones de seguridad	43
Familiarizándose con su reproductor de CD	46
Preparación del reproductor de CD	48
Uso del reproductor de CD	51
Uso de búsqueda	57
Uso de la protección anti-saltos	58
Remover el CD	58
Mantenimiento	59
Solución de problemas	60
Especificaciones	61
Información sobre la garantía	63
Derechos de reproducción	64

Precauciones de seguridad

Favor lea cuidadosamente las instrucciones antes de operar su reproductor de CD.

Advertencia



Para prevenir un incendio o choque eléctrico, no exponga este reproductor de CD a la lluvia o humedad.

Importante

Ya que la circuitería del reproductor de CD puede causar interferencia con otros sintonizadores de radio a su alrededor, apague este reproductor de CD cuando no se use, o aléjelo del sintonizador de radio afectado. Este reproductor de CD satisface la parte 15 del reglamento FCC. Su operación esta sujeta a las dos condiciones siguientes: (1) Este dispositivo no puede causar interferencia dañina, y (2) Este dispositivo debe aceptar cualquier interferencia recibida incluyendo interferencias que puedan causar una operación no deseada.

Nota

Este aparato de Clase B cumple con el ICES-003 Canadiense.

Este equipo ha sido sometido a prueba y se ha determinado que satisface los límites establecidos para ser clasificado como dispositivo digital de la Clase B de acuerdo con la Parte 15 del reglamento FCC. Estos límites se han establecido para proporcionar una protección razonable contra interferencias perjudiciales en una instalación residencial. Este equipo genera, utiliza y puede irradiar energía de radiofrecuencia y, si no es instalado y utilizado de acuerdo a las instrucciones, puede causar interferencias perjudiciales en las comunicaciones de radio. Sin embargo, no se garantiza que no ocurrirá interferencia en una instalación particular. Si el equipo causa interferencias perjudiciales en la recepción de la señal de radio o televisión, lo cual puede comprobarse encendiéndolo y apagándolo alternativamente, se recomienda al usuario corregir la interferencia mediante uno de los siguientes procedimientos:

- Cambiar la orientación o la ubicación de la antena receptora.
- Aumentar la distancia entre el equipo y el receptor.
- Conectar el equipo a un tomacorriente de un circuito distinto de aquel al que está conectado el receptor.
- Solicitar consejo al distribuidor o a un técnico experto en radio/TV para obtener ayuda.

Cualquier cambio o modificación que no esté aprobado expresamente por la parte responsable por el cumplimiento puede anular la autoridad del usuario para operar el equipo.

Certificación de seguridad

Este reproductor de discos compactos está hecho y probado para cumplir con los estándares de seguridad de los requisitos del FCC y con el rendimiento de seguridad del Departamento Estadounidense de Salud y Servicios Humanos, y también con los estándares de rendimiento 21 CFR, subcapítulo J de la radiación del FDA.



Radiación de láser invisible y peligrosa cuando está abierto y han fallado o se vencieron los seguros. Evite la exposición directa al rayo láser.

Seguridad del láser

Esta unidad emplea un sistema de rayo láser óptico en el mecanismo del CD, el cual está diseñado con medidas de seguridad integradas. No intente desarmar la unidad; referir todas las reparaciones a personal de servicio calificado. La exposición a este rayo de luz láser invisible puede ser dañina para el ojo humano.

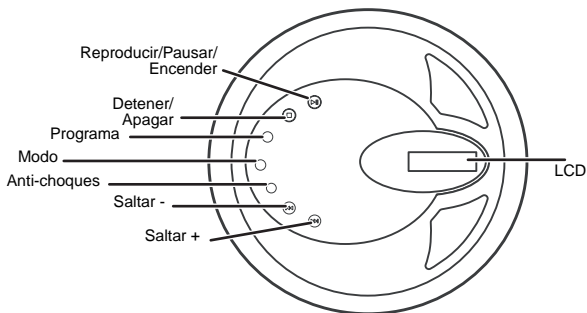
Este es un producto láser de Clase 1. El uso de cualquier otro control, ajuste o procedimiento que no sea especificado en este manual puede resultar en una exposición peligrosa al rayo de luz láser.

Precauciones de seguridad

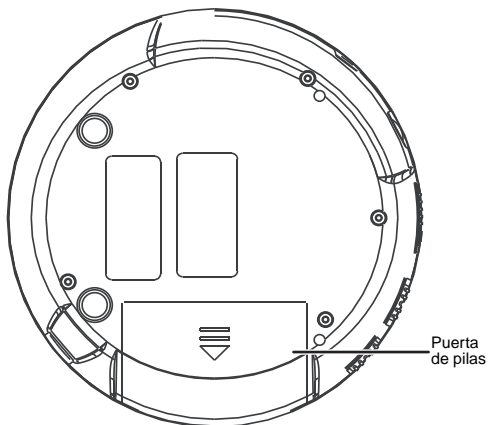
- No abrir el gabinete. Encomíende la reparación únicamente a personal calificado.
- No exponer al calor excesivo, luz solar directa, polvo, humedad, vibración o choques.
- Use **únicamente** el adaptador de CA especificado. Otros tipos de adaptadores pueden dañar su reproductor de CD.
- Desconecte el adaptador de CA del tomacorriente cuando el reproductor de CD no se vaya a usar por periodo de tiempo extendido.
- Cuando limpie su reproductor de CD, utilice un paño suave seco. No se debe usar solventes o limpiadores disponibles comercialmente ya que estos pueden dañar o decolorar el acabado.
- No use audífonos mientras conduce un vehículo. Esto podría crear un riesgo de tráfico y es ilegal en muchas áreas.
- Los audífonos proporcionados con su reproductor de CD proveerán un sonido estéreo superior mientras que le permiten escuchar los sonidos de afuera si se escucha a niveles de volumen bajos. Escuchar a niveles de volumen altos minimiza la intrusión de los sonidos del exterior.
- Si nota que el sonido se ha vuelto débil o distorsionado, ésta es una indicación de que las pilas están bajas. Reemplace las pilas con unas nuevas o recargadas. Para obtener más información, vea "Battery installation" on page 5.

Familiarizándose con su reproductor de CD

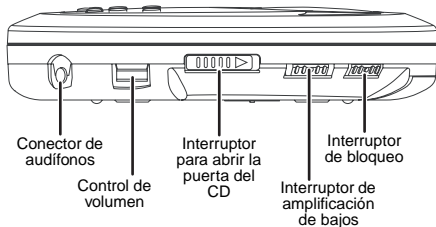
Controles superiores



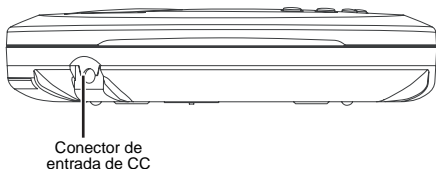
Puerta de pilas inferior



Controles laterales



Conector lateral de entrada de CC

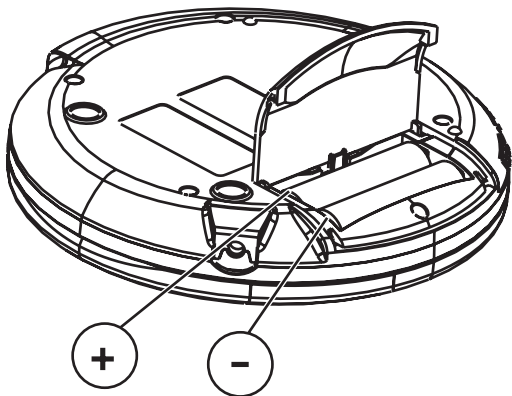


Preparación del reproductor de CD

Fuentes de alimentación

Su reproductor de CD puede estar alimentado por pilas o un adaptador de CA (no incluido).

INSTALACIÓN DE LAS PILAS




- 1 Abra la cubierta del compartimento de pilas e inserte dos pilas alcalinas AA. Prestar atención a la polaridad según como se indica en el compartimento de las pilas.
- 2 Cierre la cubierta del compartimento de las pilas.

Nota

- No tratar de recargar, hacer corto circuito, desarmar, calentar o tirar las pilas al fuego.
- No mezcle distintos tipos de pilas. (Por ejemplo, alcalinas con unas de carbonato de zinc.)
- Cuando se inserten pilas nuevas, se deben reemplazar todas al mismo tiempo. No se deben combinar pilas viejas y nuevas.
- Pilas débiles se pueden derramar y dañar severamente el reproductor de CD.

Alerta de pila baja

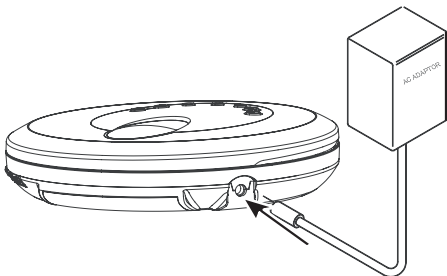
Cuando el icono de pila baja  aparece en el panel LCD, las pilas están perdiendo su carga. Cuando esto sucede, el reproductor de CD no funciona correctamente. Reemplace las pilas.

Tiempo de reproducción

Tipo de pila	Modo de reproducción normal	Modo de reproducción anti-saltos
Alcalinas AA	Aprox. 9 horas	Aprox. 8 horas
Recargable (especificaciones mín. recomendadas 1.2 V - 650 mA)	Aprox. 3.5 horas	Aprox. 2.5 horas

Nota

Pilas de Zinc/Carbón, o Zinc/Clorito no se recomiendan para el uso con esta unidad, ya que su uso puede resultar en tiempos de reproducción extremadamente cortos.

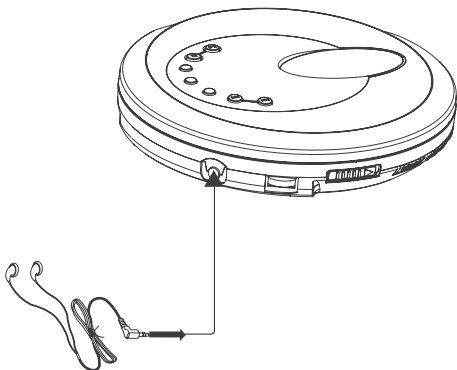
CONEXIÓN A LA ALIMENTACIÓN CA

- 1 Inserte el extremo del adaptador de CA (no incluido) con el enchufe de CC en el conector **DC Input** (entrada de CC).
- 2 Conecte el adaptador de CA en un tomacorriente de CA. Usar únicamente un adaptador de CA con salida de 6 V y verificar que el voltaje local corresponde al voltaje de entrada de CA requerido por el adaptador.

Nota

Si el enchufe de CA de esta unidad no entra en el tomacorriente CA, se debe usar un adaptador de enchufe. Consulte con su distribuidor local para averiguar que tipo de adaptador de enchufe se necesita.

Escuchar con audífonos



- Conecte sus audífonos en el conector (verde) **Headphones** (Audífonos) y ajuste el volumen al nivel deseado.

Cuidado



Cuando use audífonos, evite el volumen excesivo y escuchar por sesiones extendidas.

Uso del reproductor de CD

Reproducción básica de CD

Este reproductor de CD puede reproducir discos de audio tal como CD-R o CD-RW. No intente reproducir discos CD-ROM, CDi, VCD, DVD o CD para computadora.

- 1 Conecte los audífonos en el conector (verde) **Headphones** (Audífonos).
- 2 Presionar el botón **OPEN** (Abrir) para abrir la cubierta del compartimiento del CD.
- 3 Ajustar **VOLUME** (Volumen) al mínimo.
- 4 Inserte el CD con el lado de la etiqueta hacia arriba.
- 5 Cerrar la cubierta seguramente hasta que se escuche un clic.
- 6 Presionar el botón **PLAY** (Reproducir) para empezar a reproducir.

AMPLIFICANDO EL SONIDO DE BAJOS



- Mueva el interruptor **BASS BOOST** (Amplificación de graves) a la posición **ON** (Activado).

Nota

El rendimiento de la amplificación de graves dependerá del ajuste del control de volumen.

USO DEL INTERRUPTOR DE BLOQUEO



Este interruptor previene que se presionen botones accidentalmente durante el modo de reproducción o de detención.

Desactive los botones de función (con excepción del interruptor **CD Door Open** (Abrir la puerta del CD)) moviendo el interruptor **Hold** (Bloquear) a la posición **ON** (Activado).

ENCENDIDO Y APAGADO DE LA UNIDAD

Este reproductor de CD no tiene un interruptor de **ON/OFF** (Encendido/apagado).

Para encender y apagar el reproductor:

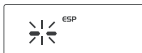
- Encienda el reproductor de CD por medio del botón **PLAY/PAUSE** (Reproducir/pausar).
- O -
Apague el reproductor de CD por medio del botón **STOP** (Detener). (Presionar el botón **STOP** (Detener) una vez pone el reproductor de CD en el modo de standby. Presionar el botón **STOP** (Detener) dos veces apagará la unidad.)

Función de apagado automático

Cuando el reproductor de CD se encuentra en el modo standby (detenido por 30 segundos), la unidad se apaga automáticamente.

Información del LCD

- Si hay un CD adentro, el ajuste automático comienza. Durante el ajuste automático, la pantalla parpadea --.



- Si no hay un CD insertado, se mostrará **disc** (disco). Inserte un CD, luego cierre la cubierta. El ajuste automático comienza.



- Si la cubierta esta abierta, la pantalla muestra **OPEN** (Abierto). Cerrar la cubierta comienza el ajuste automático.



- Si el reproductor CD no puede leer el índice de contenido (TOC) del CD, luego la pantalla muestra **Er** (Error).



- Cuando la información del TOC se ha leído, la pantalla muestra TOC por 1 segundo.



- La primera pista del CD se comienza a reproducir automáticamente. **ESP** comienza a parpadear para indicar que la función anti-saltos esta activada. Si desea desactivar la función anti-saltos, presione el botón **Anti-Shock** (Anti-saltos), lo cual dejará de mostrar **ESP** en la pantalla, y se apagará la función anti-saltos.



Reproducción de un CD detenido

- Presione el botón **PLAY/PAUSE** (Reproducir/pausar), la pantalla cambia a **01 00:00** y comienza a reproducir.



- Si se llena la memoria anti-saltos, el indicador **ESP** deja de parpadear.



PARA DETENER

- Presionar el botón **STOP** (Detener). Esto detiene la reproducción y se muestra el TOC.



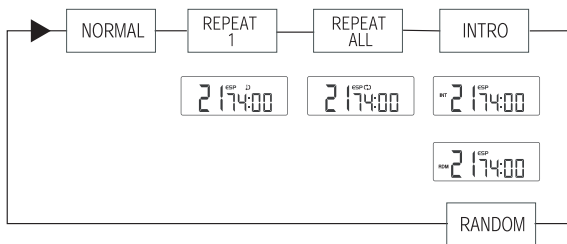
PARA PAUSAR

- Presionar el botón **PLAY/PAUSE** (Reproducir/pausa). Mientras se encuentra en pausa, la visualización de tiempo parpadea.




Modos de reproducción

Cada vez que se presiona el botón **MODE** (Modo), el modo correspondiente aparecerá en la ventana de visualización.



Nota

En el modo normal, ninguno de los símbolos de modo de reproducción se mostrará en la pantalla.

Cuando  aparece en el panel LCD, se repetirá la pista actual.

Cuando  aparece en el panel LCD, se repetirán todas las pistas.

REPRODUCCIÓN NORMAL

Reproduce el CD completo.

**REPRODUCCIÓN INTRODUCTORIA**

- 1 Presionar el botón **MODE** (Modo) tres veces y se mostrará **INT** en la pantalla.



- 2 Presionar el botón **PLAY/PAUSE** (Reproducir/pausa). Comienza la reproducción introductoria desde la pista número 01.



- 3 Seleccione el modo **INTRO** durante la reproducción y la palabra **INT** parpadeará.



- Presionar el botón **PLAY/PAUSE** (Reproducir/pausa). El parpadeo terminará y comenzará la reproducción introductoria desde la pista número 01.



- Presione el botón **>>I** para reproducir la pista actual. El parpadeo terminará y comenzará la reproducción introductoria desde la siguiente pista.



- Presione el botón **I<<**, el parpadeo terminará y comenzará la reproducción introductoria desde la pista actual.



REPRODUCCIÓN PROGRAMADA

Use la programación programada para reproducir ciertas pistas en el CD en cualquier orden.

Para configurar la reproducción programada

Nota

La programación se puede ajustar en el modo de detención o en el modo de reproducción normal.

- 1 Presionar el botón **PROG** (Programar) y la palabra PGM comenzará a parpadear.



- 2 Presione el botón **◀◀** o **▶▶** para seleccionar la pista deseada.
- 3 Cuando la pista deseada se muestra, presione el botón **PROG** (Programar) para grabar. El número de pista mostrado cambia a 00 de nuevo.



- 4 Repetir los pasos 2 y 3 para programar el orden de pistas adicionales. Puede programar hasta 20 pistas.



Para completar la programación y comenzar a reproducir

- Presionar el botón **PLAY/PAUSE** (Reproducir/pausa). PGM deja de parpadear y las pistas programadas comenzarán a reproducirse.



Para borrar la programación

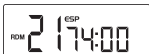
Cualquiera de las siguientes acciones borrará de la memoria sus pistas programadas:

- Grabar 00 en la primera pista del programa
- Abrir la puerta
- Apagar el reproductor

REPRODUCCIÓN ALEATORIA

Reproduce todas las pistas del CD en orden aleatorio o mezclado.

- 1 Presione el botón **MODE** (Modo) cuatro veces hasta que la pantalla muestre **RDM** (Aleatorio).



- 2 Presionar el botón **PLAY/PAUSE** (Reproducir/pausa). El número de pista se selecciona aleatoriamente y comienza a reproducir.



- 3 Seleccionar el modo **RANDOM** (Aleatorio) durante la reproducción, **RDM** comienza a parpadear.



Presione el botón **PLAY/PAUSE** (Reproducir/pausar) **I<<** o **>>I** comienza la reproducción aleatoria y el parpadeo termina.



Uso de búsqueda

Ubicando una pista

- Para regresar al comienzo de la pista actual o a la pista anterior, presione el botón **I<<** repetidamente.
- Para ir al comienzo de la siguiente pista, presione el botón **>>I** repetidamente.

Ubicar un segmento en particular en una pista

- Para buscar rápidamente hacia atrás, presione y sostenga el botón **I<<**.
- Para buscar rápidamente hacia adelante, presione y sostenga el botón **>>I**.

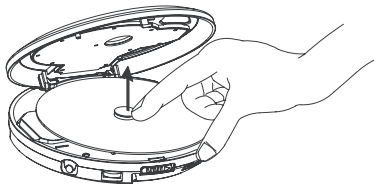
Un nivel de audio reducido se escuchará durante el proceso de búsqueda para ayudar a ubicar el punto correcto en la pista.

Uso de la protección anti-saltos

- Cuando se utiliza la protección anti-saltos (ESP), el consumo de pilas es más alto porque se utiliza la circuitería de memoria. También, el CD girará más rápido de lo normal.
- Cuando la función digital anti-saltos se **activa** o **desactiva**, se interrumpe el sonido. Esto es normal.
- Condiciones tales como discos sucios, rayados o deformados pueden causar saltos o ruido que afectarán el rendimiento del sistema anti-saltos (ESP). La protección anti-saltos reduce grandemente o elimina los saltos durante el uso activo.

Remover el CD

- Para levantar el CD, sosténgalo por las orillas y presione cuidadosamente el centro como se ilustra.



Cuidado



Se debe esperar hasta que el CD deje de girar antes de presionar el botón OPEN (Abrir).

Nota

Este reproductor de CD puede reproducir CD sencillos de 3" (8 cm) sin un adaptador (no incluido). No se debe usar un adaptador para CD sencillos con estos CD.

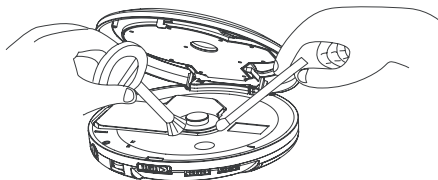
Mantenimiento

Limpeza del reproductor

Limpiar con un paño suave. Si el reproductor está muy sucio, humedezca un paño con una solución suave de detergente neutral y agua, y luego límpielo.

Limpeza del lente

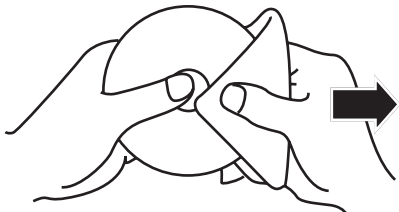
Un lente sucio causa saltos de sonido y si está muy lento, puede que el CD no funcione completamente. Si el lente está sucio, abra la cubierta del CD y limpie el lente.



- Polvo o partículas secas
Usando una brocha y sopladora para lentes de cámara, sopla sobre el lente varias veces y luego límpielo cuidadosamente con la brocha para remover el polvo. Soplar sobre el lente una vez más.
- Huellas digitales
Si el lente no se puede limpiar usando una brocha/soplador, se puede usar un algodón seco, comenzando desde el centro y moviéndose hacia la orilla de afuera.

Limpeza de CD

- Las huellas digitales y el polvo deben eliminarse cuidadosamente de la superficie grabada del CD con un paño suave. Se debe limpiar con un movimiento recto desde el centro hacia la orilla.



- Nunca utilice diluyente, benceno, limpiadores de discos, o aerosoles antiestáticos en un disco compacto. Dichos químicos pueden dañar su superficie plástica.

Solución de problemas

Problema	Causa posible	Solución
El reproductor de CD no funciona.	Las pilas están gastadas o débiles	Reemplace las pilas.
	El adaptador de CA no esta conectado correctamente.	Revise la conexión del adaptador de CA.
No se puede reproducir el disco.	El CD esta insertado incorrectamente.	Reinserte el CD, con la etiqueta hacia arriba.
	El CD esta defectuoso.	Pruebe con otro CD.
	No está cerrado el compartimiento del CD.	Cierre el compartimiento del CD.
	Hay condensación en el compartimiento del CD.	Remover el CD y dejar la cubierta abierta por una hora en un ambiente seco.

Problema	Causa posible	Solución
No hay sonido en los audífonos.	El conector de los audífonos no está insertado correctamente.	Reinserte el enchufe de los audífonos en el conector.
	El control de volumen está bajo.	Aumentar el volumen.
	Las pilas están bajas.	Reemplace las pilas o use el adaptador de CA.
	El CD esta defectuoso.	Pruebe con otro CD.
El CD se salta durante la reproducción.	El CD o el lente están sucios.	Limpiar o reemplazar el CD o limpiar el lente.
	Vibraciones fuertes y movimiento.	Colocar el reproductor en una superficie plana, dura y estable.

Especificaciones

Captor	
Sistema	Sistema de audio digital de disco compacto
Diodo láser	Material: GaAlAs
Propiedades	Longitud de onda: $\lambda=780$ nm Duración de la emisión: continua Salida de láser: $< 44.6 \mu\text{W}$
Corrección de errores	Código de entrelace-cruzado de Reed-Solomon

Audio	
Conversión D/A	Sobremuestreo de cuatro veces de DAC
Respuesta en frecuencia	20-20,000 Hz (+1/-3 dB)
Gimoteo y agitación	Debajo de los límites de medición
Número de canales	2 canales (estéreo)
Nivel de salida	Audífonos: 15 mW (32Ω)
Efecto de amplificación de bajos (100 Hz)	+6 dB

Generales	
Requisitos de alimentación	<ul style="list-style-type: none">• 2 pilas alcalinas AA• Conector de entrada de CC de 6 V, 300 mA que acepta un adaptador de CA (no incluido) con centro positivo y enchufe de tipo EIAJ con un agujero central de 1.7 mm, y unámetro exterior de 4.0 mm
Consumo de energía	0.8 W (CC 3V) bajo condiciones normales
Dimensiones	~ 5.51 × 1.12 × 5.67 in ~ 140 × 28.5 × 144 mm
Peso (sin incluir las pilas)	~ 8.11 onzas ~ 230 g

Información sobre la garantía

GARANTÍA LIMITADA

Insignia Products le garantiza a usted, el comprador original de este Producto, que éste estará libre de defectos de material o mano de obra por un período de noventa (90) días contados a partir de la fecha de compra como se indica a continuación:

- 1 MANO DE OBRA:** Durante el Período de Garantía, si se encuentra que este producto está defectuoso, Insignia reparará o reemplazará el Producto, a su discreción sin costo alguno, o pagará los cargos de reparación a un centro autorizado de servicio de Insignia. Después del Período de Garantía, usted deberá cubrir todos los gastos de mano de obra.
- 2 REPUESTOS:** Además, Insignia proveerá, sin costo alguno, repuestos ya sean nuevos o como nuevos como reemplazo de los componentes que se encuentren defectuosos durante el Período de Garantía. Después del Período de Garantía, usted deberá cubrir todos los gastos de repuestos.

Para obtener reparación bajo garantía, debe llevar el Producto junto con su recibo original u otra prueba de compra, ya sea en su empaque original o un empaque que provea el mismo grado de protección, a su tienda de venta más cercana de la tienda o sitio web de donde compró el Producto.

Esta garantía no abarca daños cosméticos, o daños por fuerzas de la naturaleza, rayos, accidentes, uso indebido, abuso, negligencia, uso comercial o modificación de alguna parte del Producto, incluyendo la antena. Esta garantía no abarca daño debido a operación o mantenimiento inadecuado, conexión a una fuente de voltaje inadecuada, o el intento de reparación por parte de cualquier persona excepto un representante autorizado por Insignia para llevar a cabo dicha reparación del Producto. Esta garantía no cubre productos vendidos TAL CUAL (en el estado en que se encuentran) o CON TODAS FALLAS o consumibles (tales como fusibles o baterías). Esta garantía solo es válida en los Estados Unidos y Canadá.

Esta garantía es inválida si el número de serie aplicado de fábrica ha sido alterado o removido del producto.

REPARACIÓN POR REEMPLAZO TAL COMO SE PROVEE EN ESTA GARANTÍA ES EL REMEDIO EXCLUSIVO DEL CLIENTE. INSIGNIA NO SERÁ RESPONSABLE POR CUALQUIER DAÑO INCIDENTAL O DIRECTO POR LA VIOLACIÓN DE CUALQUIER GARANTÍA EXPRESA O IMPLÍCITA DE ESTE PRODUCTO. CON EXCEPCIÓN DEL ALCANCE PERMITIDO POR LA LEY, CUALQUIER GARANTÍA IMPLÍCITA, REPRESENTACIÓN O CONDICIÓN DE COMERCIALIZACIÓN O ADECUACIÓN PARA UN FIN DETERMINADO DE ESTE PRODUCTO ESTÁ LIMITADO POR LA DURACIÓN DE LA GARANTÍA.

Dado que algunos estados y provincias no permiten la exclusión o imposición de limitaciones sobre daños y perjuicios incidentales o directos en cuanto al tiempo que una garantía implícita durará, es posible que la limitación o exclusión anteriormente indicada no se aplique en su caso. Esta garantía le da derechos legales específicos, y usted puede poseer otros derechos que varían de estado a estado, o provincia a provincia.

Para servicio al cliente, favor llamar al 1-877-467-4289.

www.insignia-products.com

Insignia Products, Richfield, Minnesota, U.S.A.

Derechos de reproducción

© 2006 Insignia. Insignia y el logotipo de Insignia son marcas de Best Buy Enterprise Services, Inc. Otras marcas y nombres de productos son marcas o marcas registradas de sus dueños respectivos. Las especificaciones y características están sujetas a cambio sin aviso previo u obligación.

Número de asistencia: (877) 467-4289

URL: www.insignia-products.com

INSIGNIA™

Distributed by Insignia™ Products
Distribué par Insignia™ Products
Distribuido por Insignia™ Products

7601 Penn Avenue South,
Richfield, MN USA 55423-3645
www.Insignia-Products.com

© 2006 Insignia™ Products

All rights reserved. All other products and brand names are trademarks of their respective owners.

© 2006 produits Insignia™

Tous droits réservés. Tous les autres produits ou noms de marques sont des marques de commerce qui appartiennent à leurs propriétaires respectifs.

© 2006 productos Insignia™

Todos los derechos reservados. Todos los demás productos y marcas son marcas comerciales registradas de sus respectivos dueños.